



FM 76813



EMS 503138



Ingersoll Rand's Security Technologies sector is a leading global provider of products and services that make environments safe, secure and productive. The sector's market-leading products include electronic and biometric access control systems; time and attendance and personnel scheduling systems; mechanical locks and portable security, door closers and exit devices, steel doors and automated openings, architectural hardware and technologies and services for global security markets.

**Ingersoll Rand Security Technologies**

Berrington Road Sydenham Industrial Estate Leamington Spa CV31 1NB  
Tel. 01926 437000 Fax. 01926 437005

Email [doromatic\\_sales@eu.irco.com](mailto:doromatic_sales@eu.irco.com)  
Web [st.ingersollrand.co.uk](http://st.ingersollrand.co.uk)

Whilst Ingersoll Rand Security Technologies has taken every care to ensure the accuracy of information, data or advice contained in this literature, no liability in respect of such information or advice, whether given negligently or not, can be accepted by the company. Ingersoll Rand retains the right to amend the technical specification of any range of equipment shown, without prior notice.

# Automated Openings

## Dor-O-Matic





# Ingersoll Rand Automated Openings



Ingersoll Rand Security Technologies is focused on delivering innovative access and security solutions to our partners. We are the proven and trusted provider of value added products and services globally.

## **At the heart of the opening**

Developing bespoke solutions for every application, whether it's a brand new building or an existing opening, Ingersoll Rand has the products and knowledge to automate almost any door, improving accessibility and enhancing user experience.

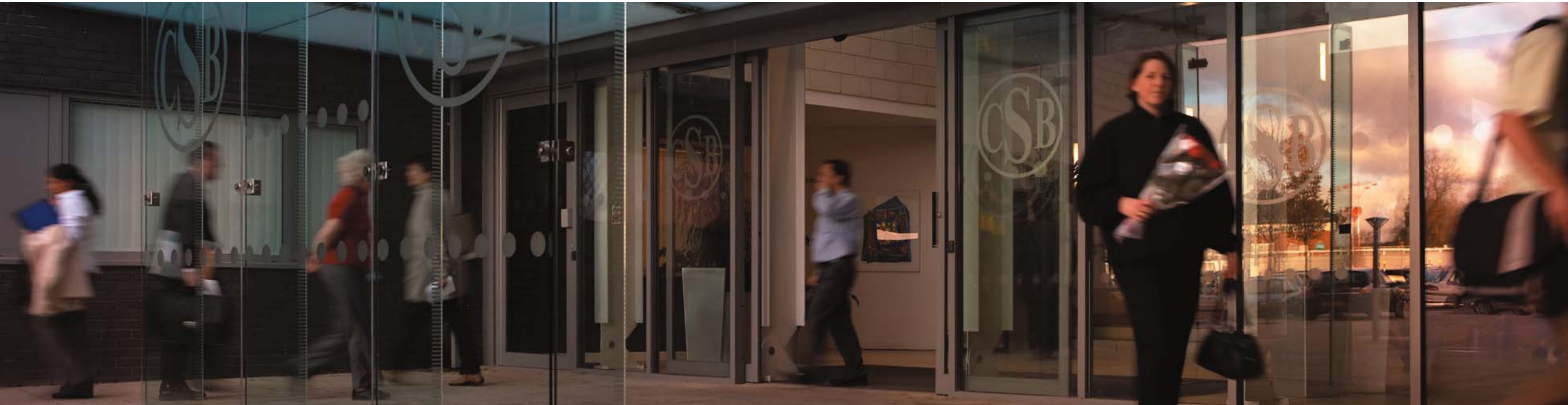
Ingersoll Rand automated openings, under the Dor-O-Matic brand, provide one of the widest choices of automatic doors and operator systems available and are widely used in commercial, sports, leisure, retail, education, transport and healthcare environments.

ISO certified manufacturing in the UK is backed by a full technical advisory service, in-house design and project management teams and the benefit of being one of the industry's leading authorities on the Disability Discrimination Act (DDA). A team of technical advisors is available to assess the current accessibility of your building and advise on the most cost-effective way of meeting DDA legislation.

As part of Ingersoll Rand Security Technologies, our industry-wide capabilities and expertise ensure we are well placed to provide integrated solutions to any project from doors through hardware to full access control and people-management software.

*[ our door systems are designed  
and manufactured in the UK ]*

# Realise the Benefits of Automated Openings



Automatic doors are an essential part of many buildings including supermarkets, airports, universities, hospitals and hotels.

One of the greatest single benefits of automatic doors is the ability to offer easy access to everyone. Many disabled people experience problems using manual doors due to the physical effort required. The situation is often made worse by poor fitting doors and access designs and the use of heavy door closers.

Most manual doors have been designed with the average able-bodied person in mind and so can be difficult for the disabled, elderly or even mothers with pushchairs to use. By replacing manual doors with either a fully automatic package, or low energy solutions for a retro-fit application, allows the opening and closing of doors without the need for physical effort.

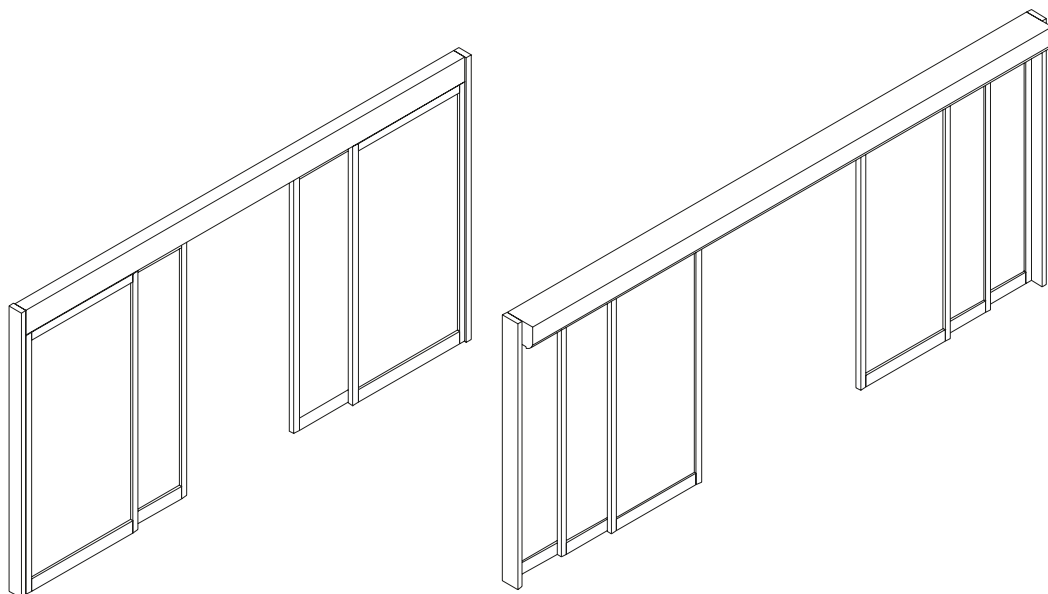
*One of the greatest single benefits of automated openings is the ability to offer easy access for everyone*

## The Benefits of Ingersoll Rand Automated Doors

- Complete full-service package incorporating tried and tested products and service.
- Help to meet DDA duties and provide enhanced user experience.
- Enhanced whole-life costings with seamless after-sales service packages.
- All-glass systems and in-head operators provide sleek and secure design options.
- Retro-fit options available suitable for DDA upgrades.
- Installation teams employed by Ingersoll Rand.
- All doors manufactured within the UK.
- Integrated access control – including biometric, proximity and manually activated security systems.
- After-Sales Service Care – service programmes available which meets all individual needs.

# Automated Slide and Folding Doors

We have over 30 years experience of manufacturing automatic doors and many of our products have been developed specifically to overcome particular access issues.

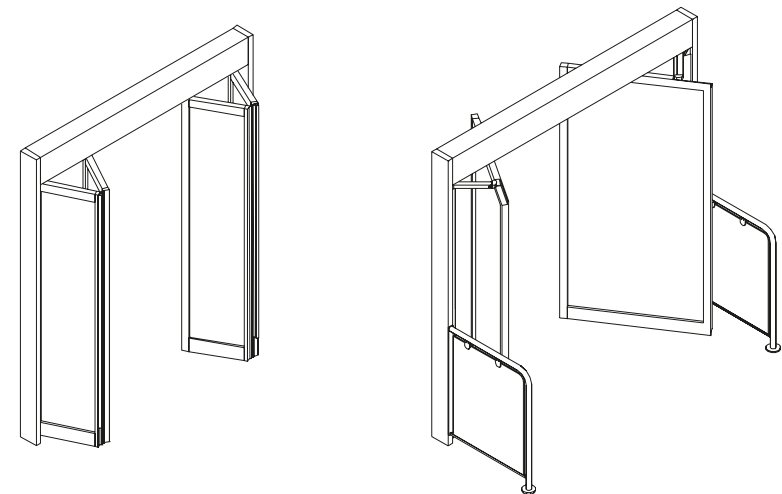


## Sliding Door

- Suitable for both interior and exterior applications.
- Available in bi-parting and single slide configuration.
- Suitable for surface or concealed applications.
- Ease of interface with access control systems.
- An all-glass option available, to provide a sleek, seamless aesthetic design.

## Telescopic Door

- Space saving solutions for wider openings.
- Ideal for two-way traffic.
- No floor track therefore no floor preparation required.



## Folding Door

- Ideal solution for heavy two-way traffic situations.
- Designed to achieve maximum access when structural space is limited.
- Ideal solution for retro-fit applications.
- Available as a single or simultaneous pair of folding doors.
- An all-glass option available, to provide a sleek, seamless aesthetic design.

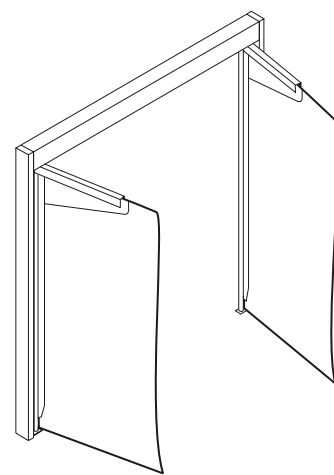
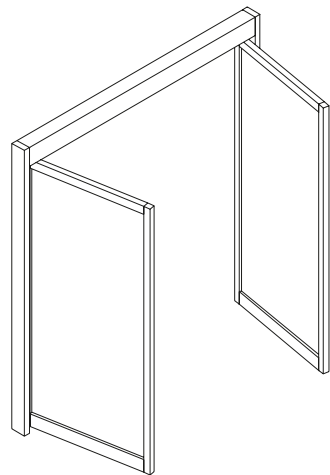
## Balance Door

- Available as either surface applied or concealed.
- Smooth, adjustable opening and closing speeds for maximum control of traffic flow.
- An all-glass option available, to provide a sleek, seamless aesthetic design.
- No floor track therefore no floor preparation required.

*We are able to assess both the building and the usage requirements to provide the best possible solution to your particular needs and budget*

# Automated Swing Doors

We are specialists in the installation of a full range of swing packages and operators. We can offer a full swing package for new doors or retro-fit solutions for the automation of existing manual doors, including special applications for period buildings.



## Swing Door

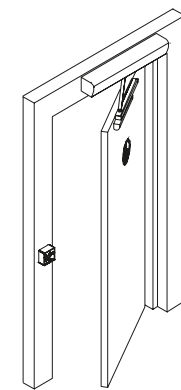
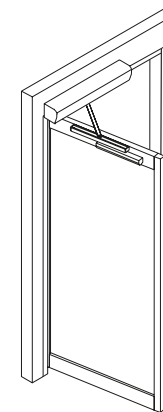
- Suitable for surface or concealed applications.
- Supplied in either single or paired configurations.
- Ideal for the automation of existing manual doors.
- Ideal for external and internal applications.

## Mid Swing

- A low energy cost-effective operator.
- Ideal for internal applications.

## Flexible Swing Door

- Cost effective solution for reducing heat loss and noise pollution.
- Suitable for surface or concealed applications.
- Easily replaces hinged or pivoted doors.
- A low cost automated solution.



## Low Energy Swing Operator

- Surface mounted automation of new and existing swing doors.
- Interfaces into access control systems.
- Assists in meeting DDA requirements, without having to install a fully automated package.
- Ideal solution for period buildings where access is provided whilst retaining the building architecture.

## Low Energy Disabled WC System

- Designed for automating existing bathroom and toilet situations.
- Integrated to allow the door of a disabled toilet facility to be fully automated.
- Can be applied to a newly constructed doorset or to an existing installation.

*Specialists in the installation of a full range of automated swing door packages*

# Access for All



We recognise the need for clear advice and innovative solutions to help service providers to fulfil their duties under the Disability Discrimination Act (DDA).

The DDA is a major driver in the design of today's 'built environment'. Associated best-practice guidance attaches an increasing importance to the use of automatic door systems, low energy operators and power assisted door controls.

These products are essential 'tools' for enabling access to all public buildings – particularly for people with disabilities – and as such are recommended as solutions in satisfying Part M of the Building Regulations for all non-domestic buildings.

An expansive portfolio and expertise in openings and related hardware allows us to demystify specific issues – such as maximum opening forces, visual contrast, the 'not cold to the touch' element – and provide our customers with the highest level of confidence. A free of charge 'openings audit' service further enhances our capabilities in this important field.

Our independently accredited, DDA-focused CPD seminar has been delivered to thousands of architects, contractors, end users, building control and other construction professionals throughout the UK. Supporting literature, including our 16 page 'DDA Design Guide', is recognised as the most comprehensive and authoritative in our industry.

*[ A free of charge 'openings audit' service further enhances our capabilities in this important field ]*



# Installation, Maintenance & Service



Our team of qualified engineers operate throughout the UK. All are employed directly by Ingersoll Rand, which means we maintain total control and deliver absolute quality in our performance. It is required that our engineers meet BS7036 and have passed the Automatic Door Suppliers Association examination.

Ingersoll Rand will work in partnership with the customer to maximise safety and reliability. A range of preventative maintenance service programmes is available after the initial warranty period, all of which are designed to give clients peace of mind and let you focus on your business. In addition our team of full qualified Ingersoll Rand engineers provides a 24 hour, 7 day a week, 365 days a year repair and service throughout the UK, ensuring minimum disruption to your business.

*Preventative service programmes  
give clients peace of mind*

## Project management

Ingersoll Rand Security Technologies provides a comprehensive service for all projects no matter how large or small. Our commitment to providing quality automatic doors includes unparalleled levels of support including a full project management service from design to manufacturing right through to installation and on-going maintenance. Support is available at every stage to ensure our doors live up to their promise of providing unprecedented levels of performance. For further information or to arrange a meeting to discuss your requirements please call 01926 437000.



# Integrated Solutions

Ingersoll Rand Security Technologies offer a fully co-ordinated package of products and services that create and sustain safe, secure and productive environments. We are a single reliable source, backed up by a global corporation and a fully qualified support team. All products are compatible and can be tailored to create a fully integrated solution to your particular needs.

## Performance Doorsets

Performance doorsets, marketed under the Martin Roberts brand, are custom made to suit individual requirements and finished in a wide range of colours and finishes, including advanced TimberTec wood effect finishes. Special features such as vision panels, louvres and security protection enable our doors to be easily incorporated into the overall design of a building. Providing long life performance and improved life cycle costs, steel doors are increasingly being used as a viable and sustainable alternative to timber doors in all kinds of applications.

## Electronic Access Solutions

A worldwide leader in access control, time and attendance and personal identification products, we are uniquely positioned to supply a complete security package from advanced biometric solutions, through to networked and standalone electronic access control systems and mechanical locks. Our bespoke software and hardware designs under the Interflex brand provide solutions for time management, personnel scheduling, data capture, visitor management and access control applications.

## Hotel Locking Systems

Under the CISA brand we design and manufacture a range of hotel and electronic locking systems, utilising biometric, smart card and proximity technologies. The systems are approved and specified by major international and national hotel chains, as well as in the independent sector. All systems are supplied, installed and supported by a team of professional engineers.

## Architectural Hardware

Manufacturers of the market leading Briton brand of door hardware, our range consists of door controls, door furniture, exit hardware, security cylinders and lockcases. Our product portfolio also includes Randi, a range of design-led Scandinavian door furniture and accessories and Normbau, a versatile range of coloured nylon door and bathroom fittings.

## Service & Maintenance

Ingersoll Rand offer an unrivalled year-round maintenance and repair service for automatic, steel, manual and industrial doors along with their associated security systems, that will keep your premises open and with minimum disruption. A nationwide fleet of specialist engineers and dedicated call centre staff ensure a rapid response 24 hours, 7 days a week throughout the UK, providing total peace of mind.



*[ a single reliable source, backed up by a global corporation and a fully qualified support team. ]*